

BC-C6A03
CAT6A RJ45 Plug, Shield, 2 Layers Metal, 3pcs



Feature and Descriptions

- ANSI/TIA568-C.2 Category 6A.
- ISO/IEC11801.2017 Class EA
- IEEE802.3an(10G BASE-T)
- Wire Management bar made of Polycarbonate, UL94V-0
- Accept Wire with 24AWG-22AWG Solid and Stranded Wire

Specifications

Material :

- Extractor : PC, UL 94V-2.
- Housing : Zinc die-Casting with nickel plated.

RJ45 plug:

- Housing : PC, UL 94V-2, Transparent red color(Pantone 1935C).
- Contact material : Phosphor bronze with 100 micro-inch nickel plated.
- Contact finish : Min. 50 micro-inch gold plated on surface contact area.
- Cover : Zinc die-casting with nickel plated.
- Wire management bar : PC, white color, UL 94-V2.

IDC :

- Housing : PC, white color, UL 94-V2.
- Terminal : Titanium copper with tin plated.
- Grounding contact : Zinc die-casting with nickel plated.

Boot:

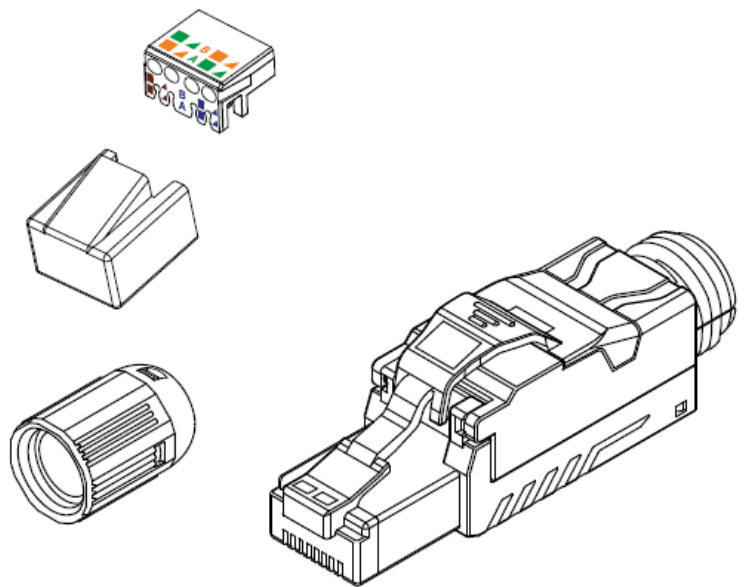
- Housing : Zinc die-casting with nickel plated.
- SR : PC, UL 94-V2, transparent color.
- CAP: PC, UL 94V-2, black color.
- PCB, UL 94-V0.
- Copper foil tape.
- Dust cap : PE, black color.

Performance :

- T568A & T568B wiring.
- Insertion force : 30N max. (IEC 60603-7-5).
- Retention strength : 7. 7 kg between jack and plug.
- Operating temperature : -10°C to 60°C. (ISO/IEC 11801, ANSI/TIA 568 C. 2).

Life(mating cycles) :

- 750 cycles min. (ISO/IEC 11801, IEC 60603-7-5).
- IDC : Suitable for 23-26AWG stranded and solid wire (Insulation Diameter : 0. 91-1. 31mm), min. 20 installation cycles.
- Suitable for cable jacket OD : 6. 0-7. 5mm.
- The mated plug should comply with IEC60603-7 and TIA-1096



Order Part Number as Below.

Part Number.	Descriptions
BC-C6A03	CAT6A RJ45 Plug, Shield, 2 Layers Metal, 3pcs